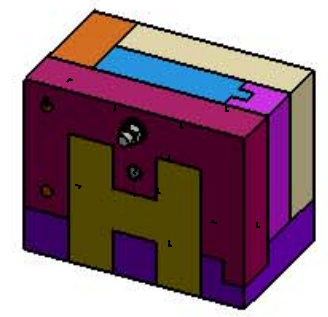
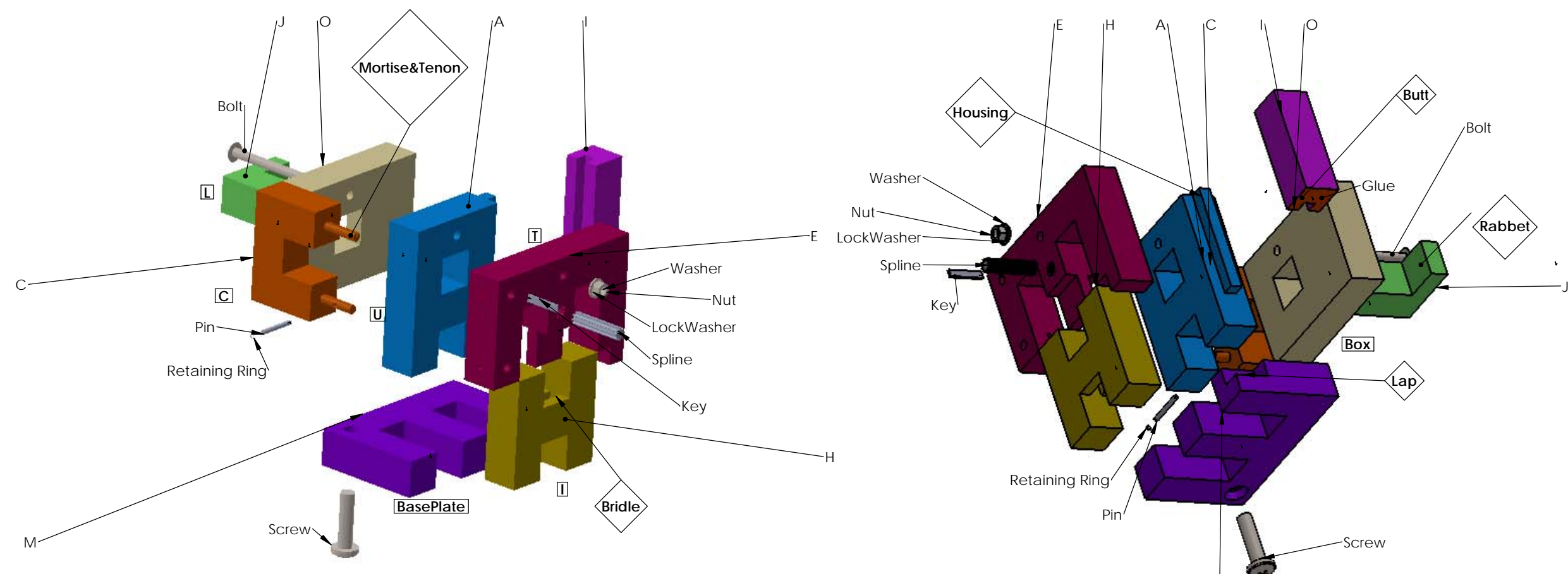


4 3 2 1

REV	ZONE	DESCRIPTION	APPROVED	DATE
-		INITIAL RELEASE		

NOTES, UNLESS OTHERWISE SPECIFIED

- UNSPECIFIED FILLET RADII .10-.20.
- MATERIAL...
- THREADS PER...



ALL DIMENSIONS ARE IN MM - INTERPRET DRAWING PER ASME Y14.5 -1994 TOLERANCES UNLESS OTHERWISE SPECIFIED: X. ±.5 ∠ ±.5° X.X ±.2 X.XX ±.1 3.2√	APPROVED	DATE					
	PREP BY						
	CHECKED		SIZE	FSCM NO.	PART NO.	PART REV	DOC REV
	RESP ENG		C				
REMOVE ALL BURRS AND SHARP EDGES .25 R OR CHAMFER MAX	QUAL ENG		SCALE	1:5	WT	SHEET	1 OF 2
	◆ = (CRITICAL DIMENSION)						

D

C

B

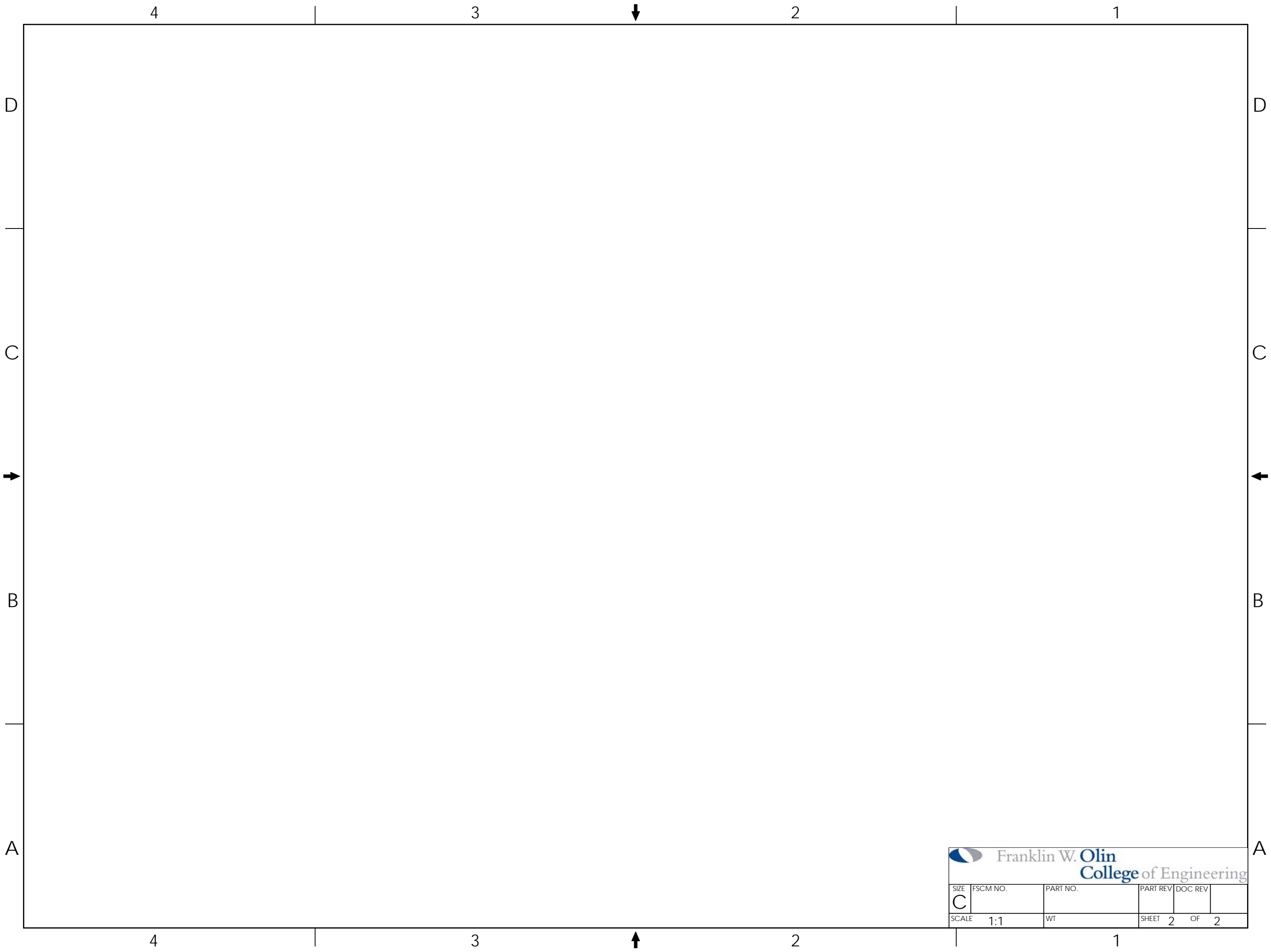
A

4

3

2

1




 Franklin W. Olin
 College of Engineering

SIZE	FSCM NO.	PART NO.	PART REV	DOC REV
C				
SCALE	1:1	WT	SHEET 2	OF 2